



Nordic ATV Plow



OVERVIEW



ASSEMBLY TIPS



..... 2	DANSK..... 16
ENGLISH..... 9	NORSK..... 17
FRANCAIS..... 10	SVENSKA..... 18
ITALINO..... 11	POLSKI..... 19
NEDERLANDS..... 12	CESTINA..... 20
ESPAÑOL..... 13	MAGYAR..... 21
PORTUGUES..... 14	XXXXXX..... 22
XXXXXX..... 15	XXXXXXXX..... 23

One Year Limited Warranty

ATV, Z Turn, Lawn Tractor, UTV & Turf Plows

For twelve months from date of purchase, Nordic Auto Plow LLC warrants against the defects due to workmanship or materials to the original purchaser. If a defect does exist, it will be obvious to the eye before assembly and we will promptly replace any defective part.

The plastic components of the plow are designed to break under extreme stress in order to minimize damage to the vehicle and is not considered a defect. To minimize this breakage, we stress the user to read the tip sheets offered and review the videos available at www.nordicplow.com. Any used and/or broken components can be replaced at a nominal charge by calling 888-662-PLOW (7569) or by visiting our website.

Once a plow is used, it cannot be resold, and thus will not be accepted as a return. A restocking fee equal to 20% of the purchase price plus applicable freight charges will be assessed for any returned unopened and unused.

Nordic Auto Plow LLC obligations under this warranty are limited to the following guidelines:

This warranty does not cover units that have been altered / modified or damaged due to: normal wear, improper maintenance, and/or improper use.

This warranty does not cover any damage that may occur to any vehicle to which the product is mounted or comes in contact with.

This warranty does not cover surface scratches to the plow, which is considered normal wear.

This warranty is not transferable or assignable to subsequent purchasers.

This warranty does not cover liability for damage to property, or injury to, or death of any person arising out of the operation, maintenance or use of the covered product.

EXCEPT AS STATE ABOVE, NORDIC AUTO PLOW LLC MAKES NO OTHER EXPRESS OR IMPLIED WARRANTIES. THE IMPLIED WARRANTIES OF MERCHANTABILITY AND FITNESS FOR A PARTICULAR PURPOSE ARE LIMITED IN DURATION FOR TWELVE MONTHS FROM THE DATE OF PURCHASE. SOME STATES DO NOT ALLOW LIMITATIONS ON HOW LONG AN IMPLIED WARRANTY LAST, SO THE ABOVE LIMITATION MAY NOT APPLY TO YOU.

ANY LIABILITY FOR INDIRECT OR CONSEQUENTIAL DAMAGE ARISING FROM THE FAILURE OF NORDIC AUTO PLOW LLC TO COMPLY WITH THIS WARRANTY OR ANY IMPLIED WARRANTY IS EXCLUDED. CUSTOMER ACKNOWLEDGES THAT THE PURCHASE PRICE CHARGED IS BASED UPON THE LIMITATIONS CONTAINED IN THE WARRANTY SET OUT ABOVE. SOME STATES DO NOT ALLOW THE EXCLUSION OR LIMITATION OF INCIDENTAL OR CONSEQUENTIAL DAMAGES, SO THE ABOVE LIMITATION OR EXCLUSION MAY NOT APPLY TO YOU. THIS WARRANTY GIVES YOU SPECIFIC LEGAL RIGHTS AND YOU MAY ALSO HAVE OTHER RIGHTS WHICH VARY FROM STATE TO STATE.

ENGLISH

Safety:

Read and understand the plow instruction manual before use.

Scan the QRC instructional videos on the first page or watch the videos on our website before use. (www.nordicplow.com)

Always instruct other users before they use the plow.

Operation:

Risk of Injury

- Never allow children to handle the plow.
- Never allow anyone to walk beside or sit on the plow when in use.
- **Never operate the plow over 2 to 3 mph. Keep a slow steady speed.**
- If you hit an obstruction, immediately stop the vehicle and reverse direction.
- Keep the strap secured near steering column to keep it clear of front axles.

Instruction Clarification:

STEP 8: To remove excess space that may exist between the belly plate and the frame, add a nut to the clamp bracket first as shown in **FIG. A**. Use a combination of brackets and clamps provided as appropriate for your machine.

STEPS 9-10: Assemble these nuts and bolts loosely by hand until you achieve the desired 7inch (178mm) distance from the ground to the axle hole. Then fully tighten.

STEP 12: Before attaching the blade to the bracket, make sure the top pivot plate (Part#3) is on top. Do not over tighten the lock nuts (Part#27) – there should be some wiggle room to allow for easy placement of the T-Handle (Part#21) into the multi-position holes.

STEPS 14: We show two methods to attach the strap to the blade:

1. Remove one of the upper bolts (Part#16) from the top of the plow and replace it with a longer bolt (Part #30). Place strap between washer and blade as shown.
2. Drill a hole in the top center of blade and attach a clip as shown in **Fig. B** (not included). Attach the strap or winch hook if available.

FAQ's

How long will the plow last?

The lightweight design and rounded edge technology significantly reduces friction and wear of the blade. The bottom edge will show signs of pits and scratches but will not degrade the blade. In addition, each blade is reversible for added longevity.

Where is the cutting edge?

The Nordic Plow works extremely well without a cutting edge. The Plows angle combined with its weight and that of the machine and operator provide significant force tight to the ground. This force allows for a clean sweep of snow, slush, mulch, dirt, etc.

The plow may not pick up hard, packed down snow or ice.

Can I use it on uneven surfaces or grass?

Yes – our rounded edge blade can be used on paver bricks, sidewalks, grass, gravel and most uneven surfaces without causing damage to the blade or surface being plowed.

Will the plow leave marks on the pavement?

The Nordic Plow will not leave marks on your driveway, unlike traditional steel plows that can leave rust and scratches on the pavement.

Trouble Shooting & Tips

Blade is not flush to ground:

In the angled position, the blade will not be flush to the ground if the top pivot and bottom pivot plates are reversed.

The blade flips forward when plowing:

Adjust the boots and axle so that the axle is 7" (178mm) from the ground.

T-Handle Hard to Insert:

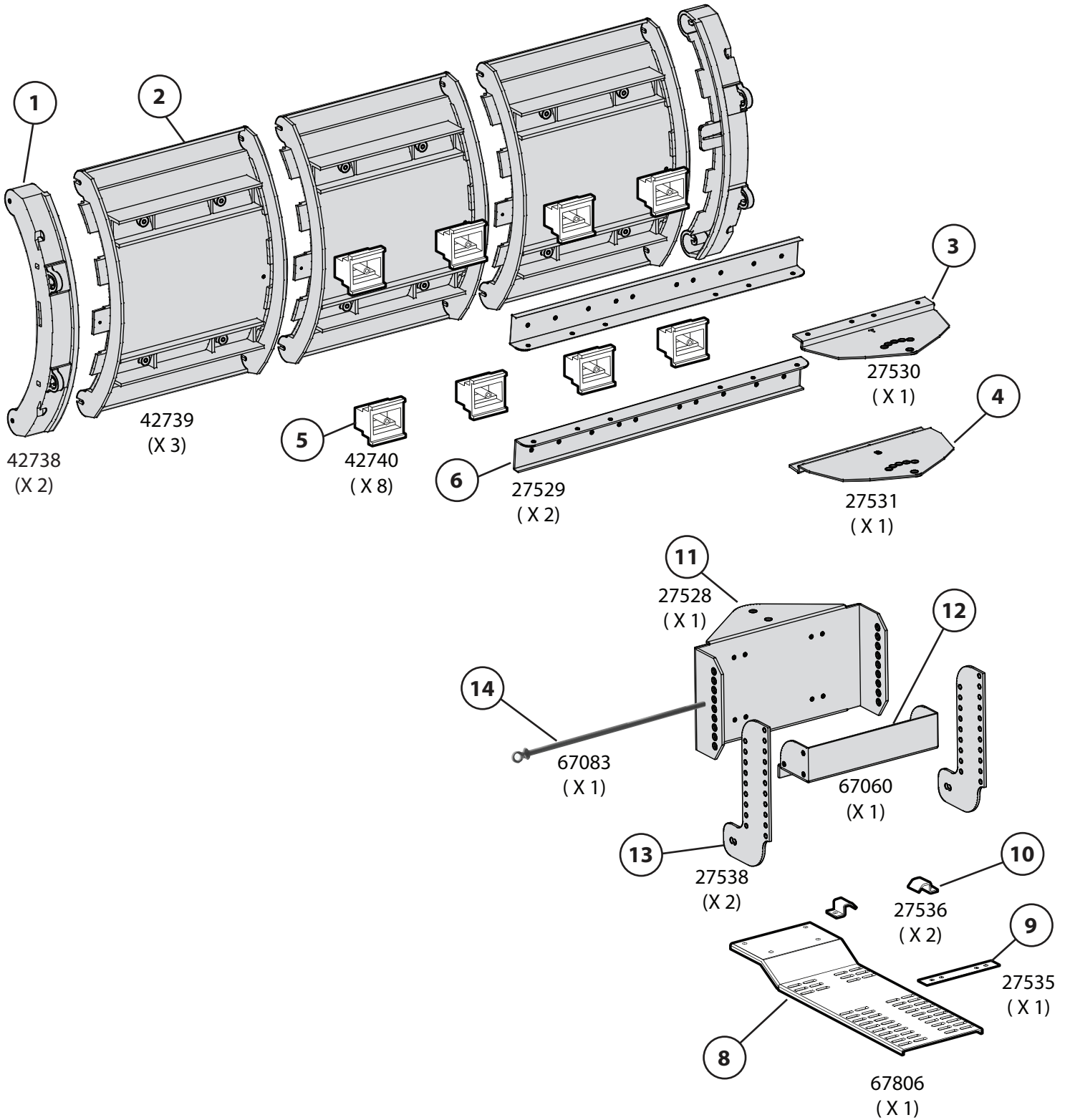
The top and bottom pivot bolt must be loosened to allow for some movement in the metal plates.

The blade is heavy to lift with strap during operation:

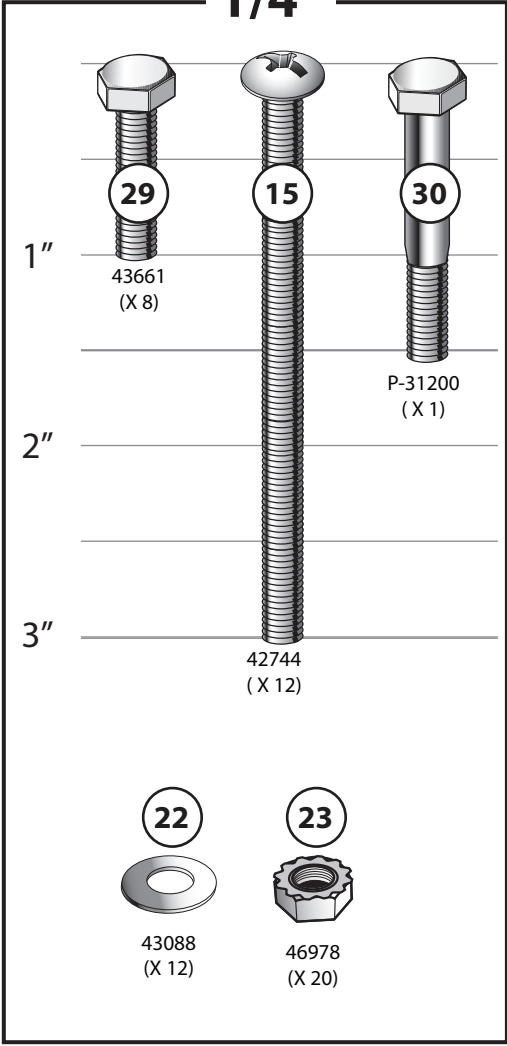
After you have pushed the snow or material, reverse the machine to clear the blade of the material before lifting the blade with the strap.

Belly Plate Heavy to Install:

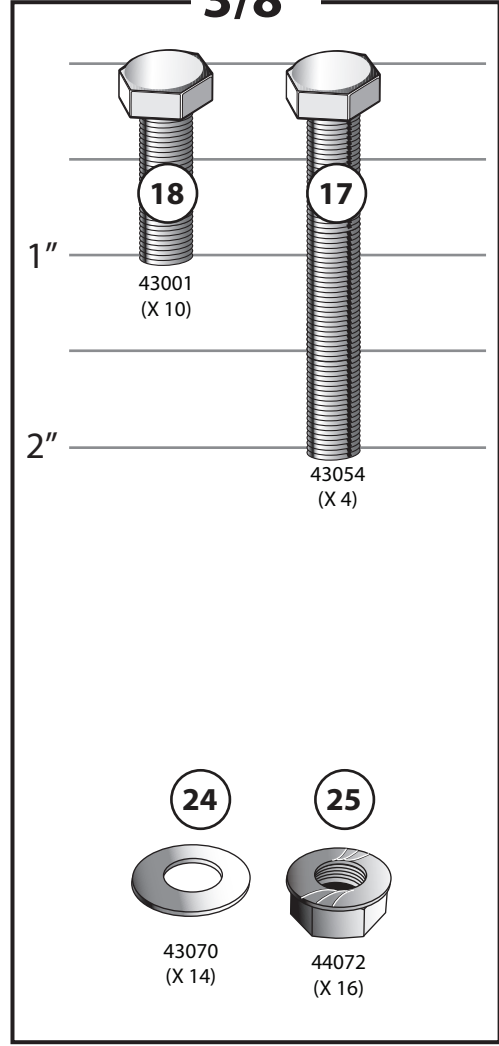
Prop the belly plate up with wood or car jacks under frame of machine – then line up bolts and attach.



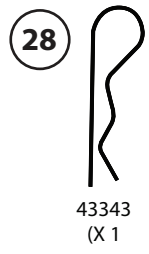
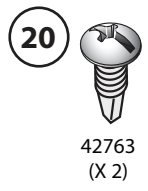
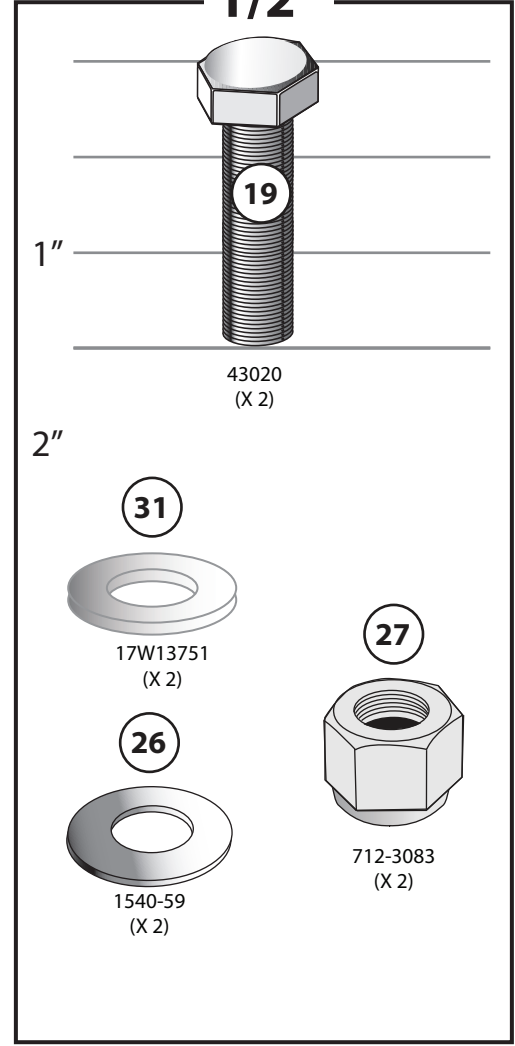
1/4"

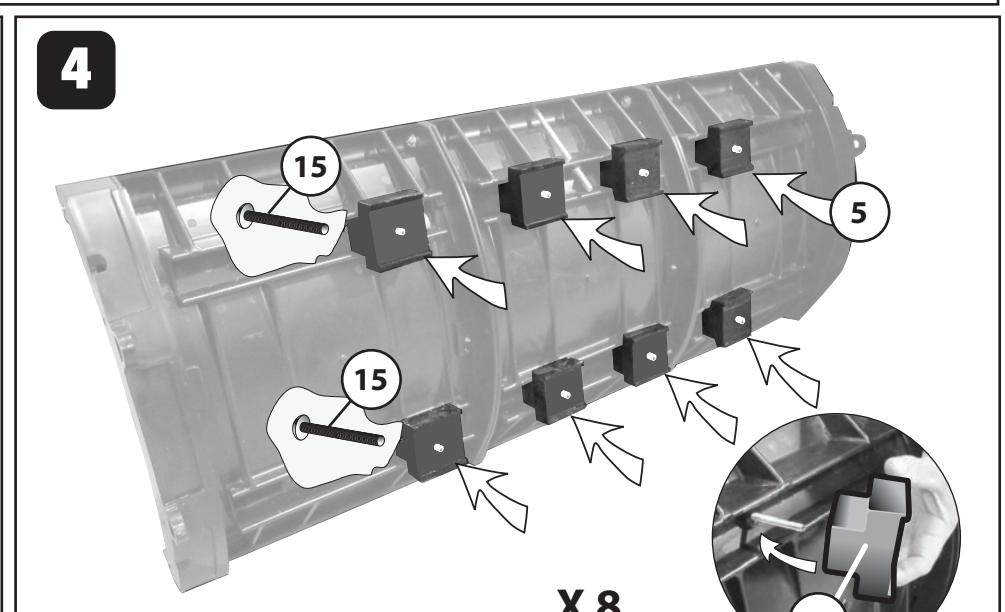
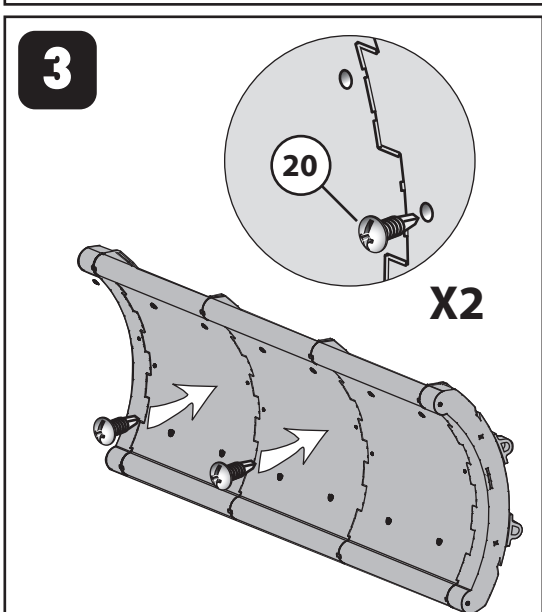
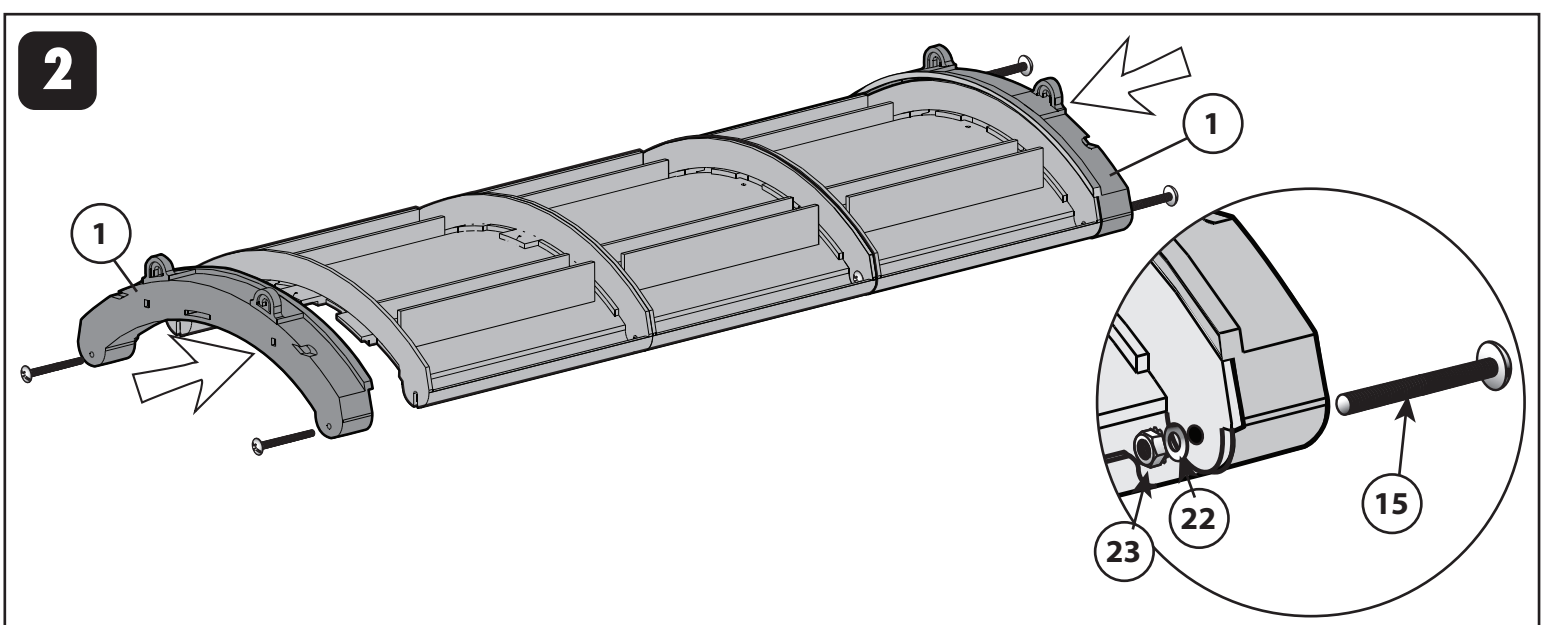
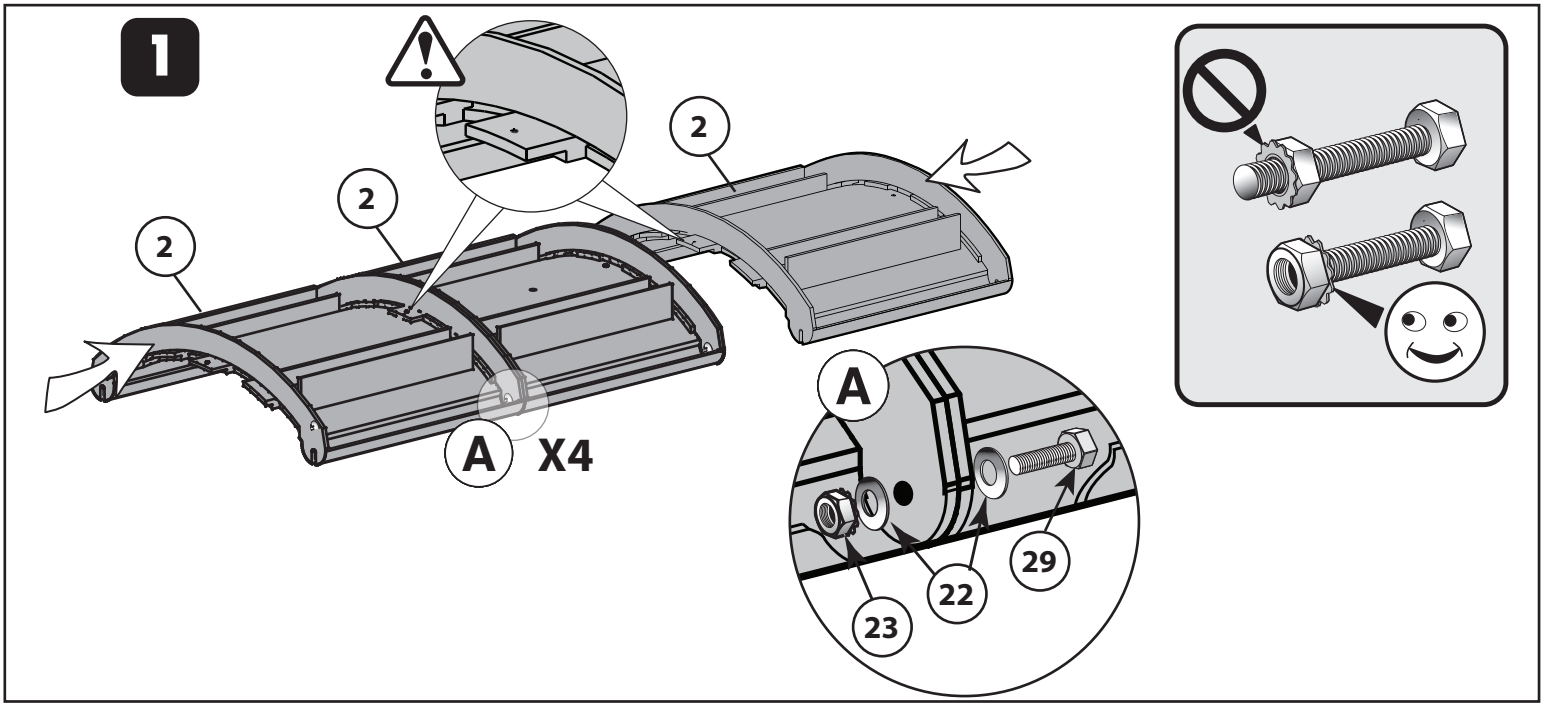


3/8"

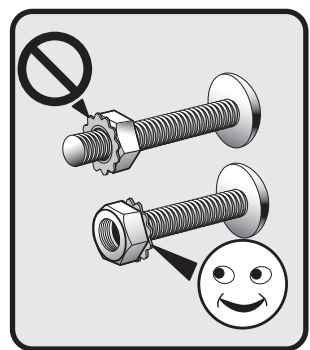
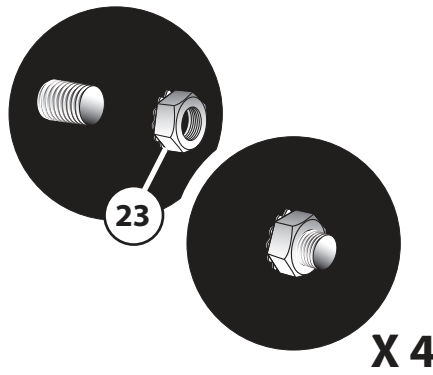
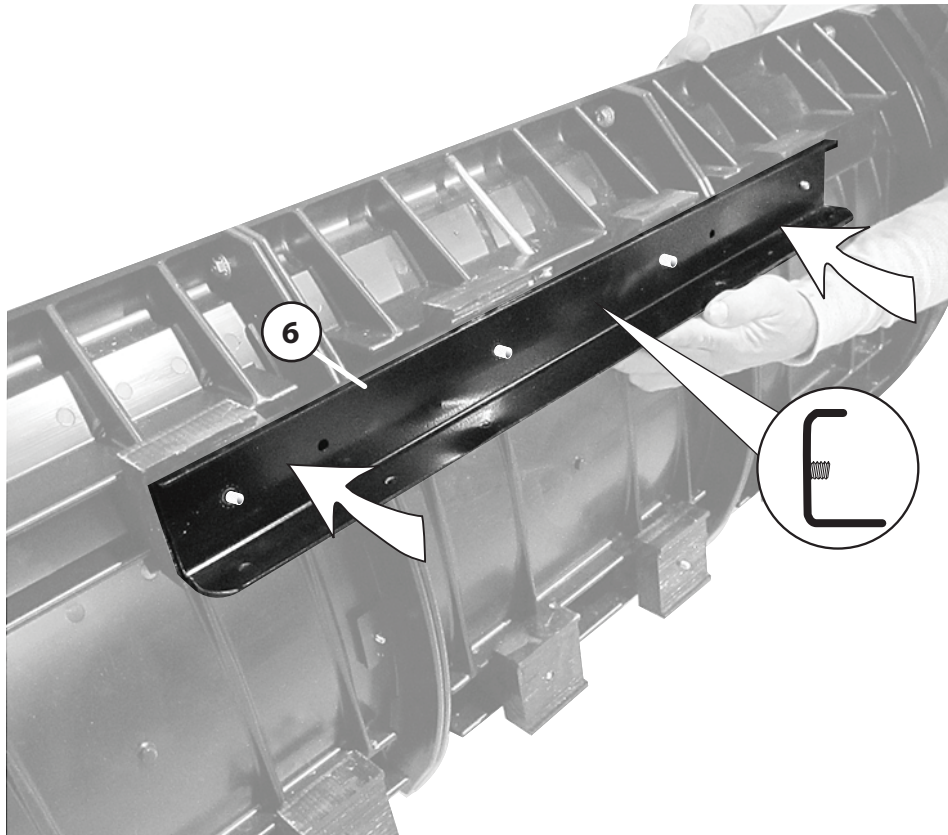


1/2"

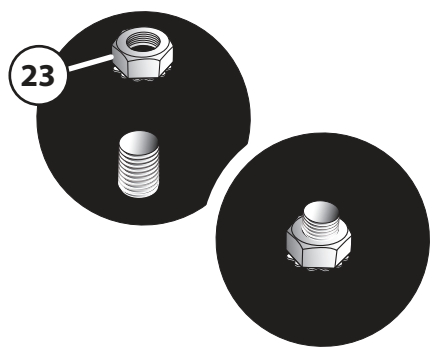
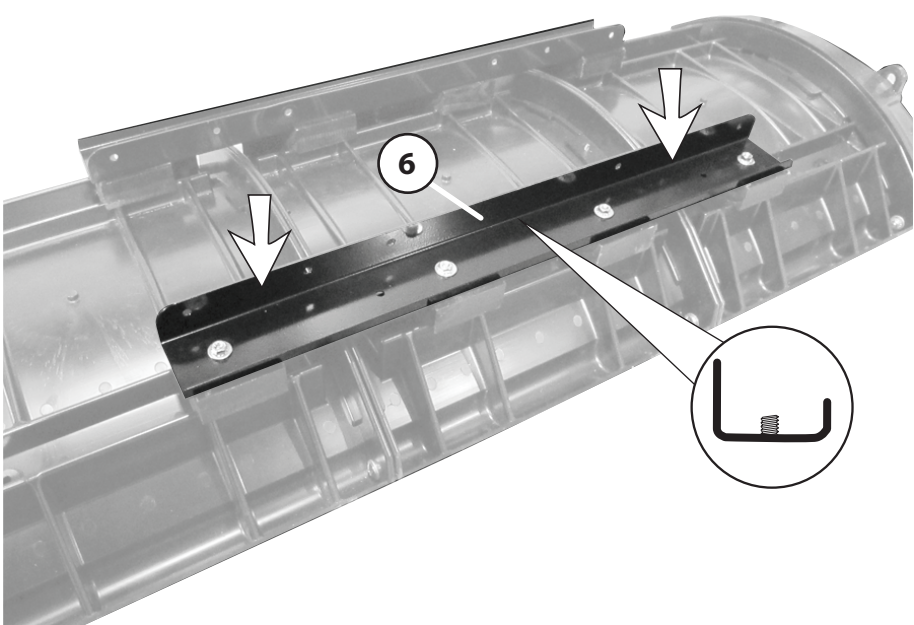




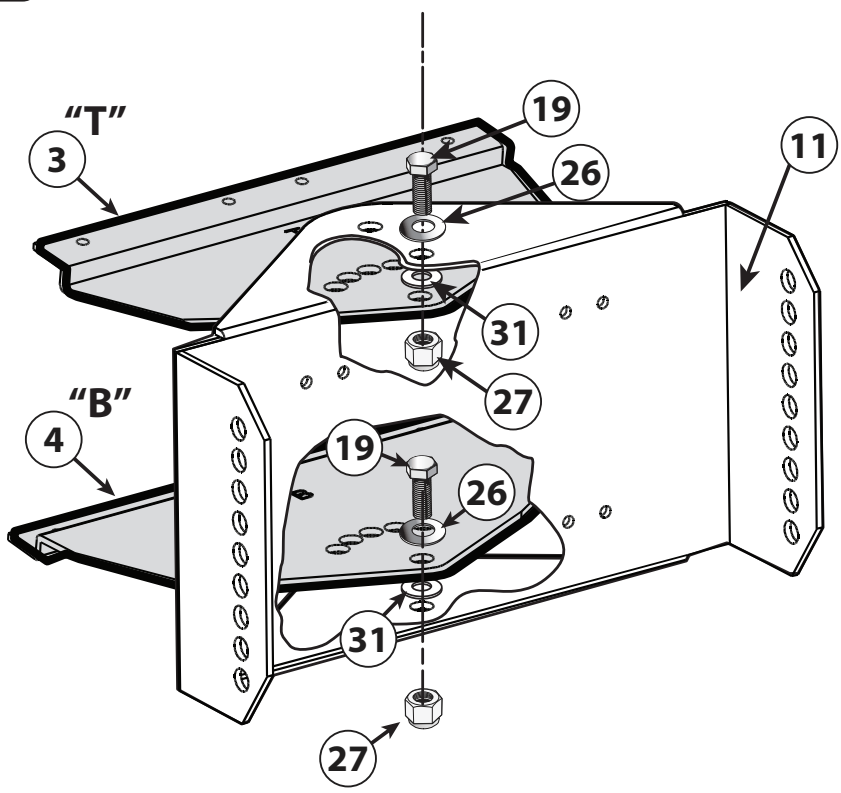
5



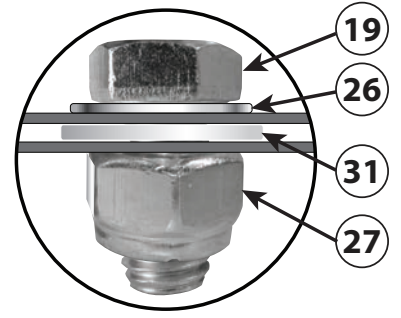
6



7



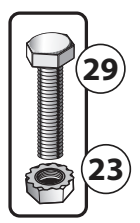
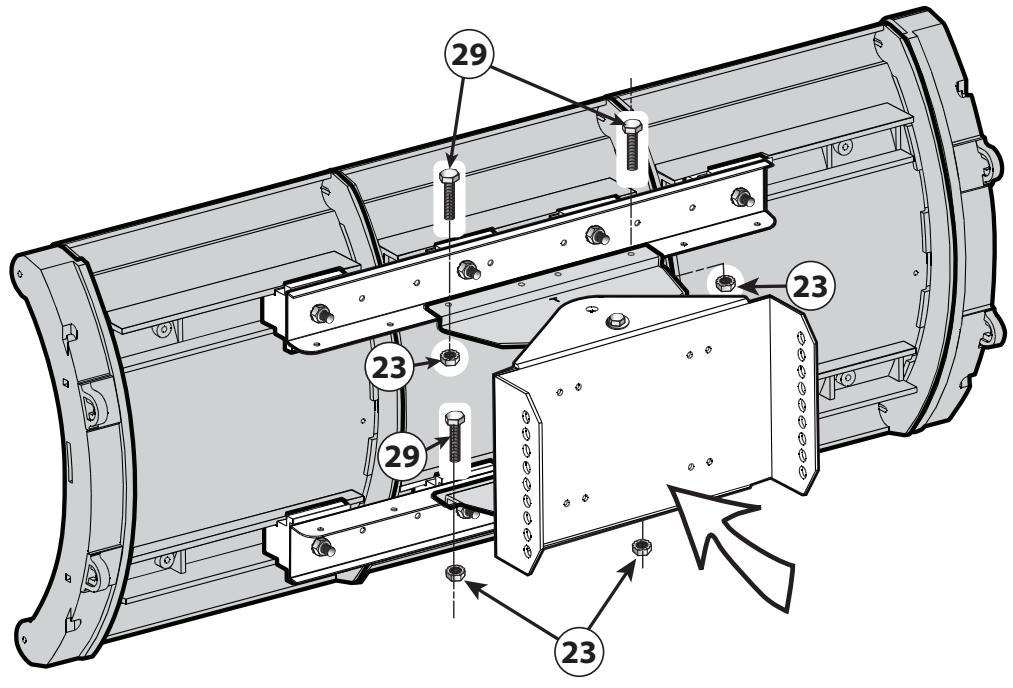
ASSEMBLY TIPS



X 2

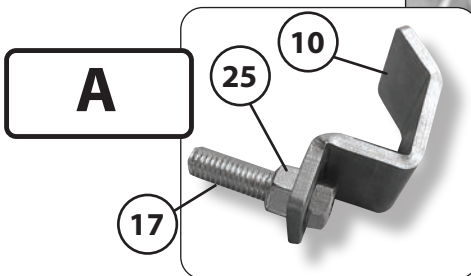
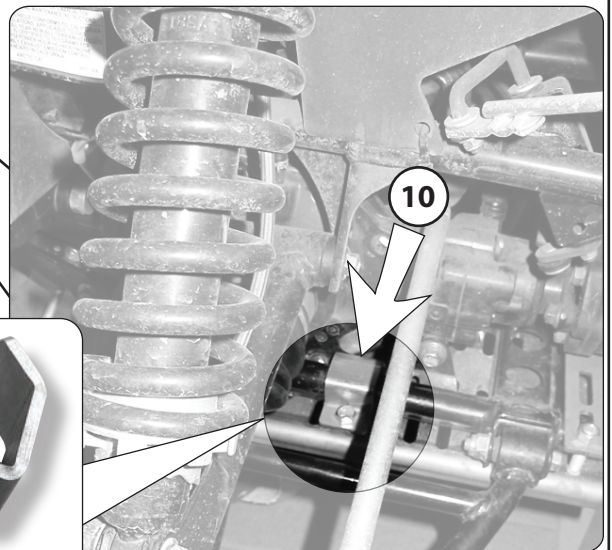
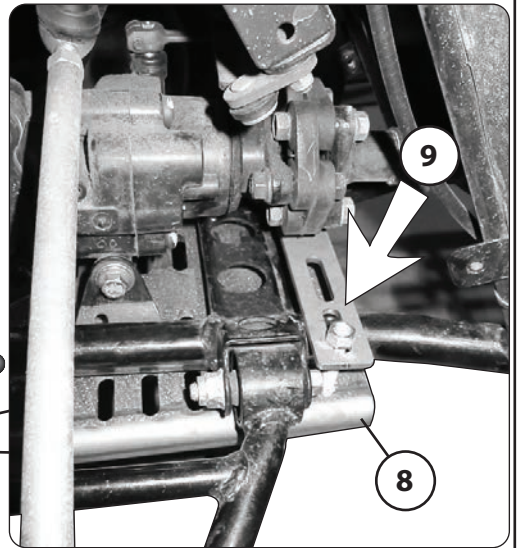
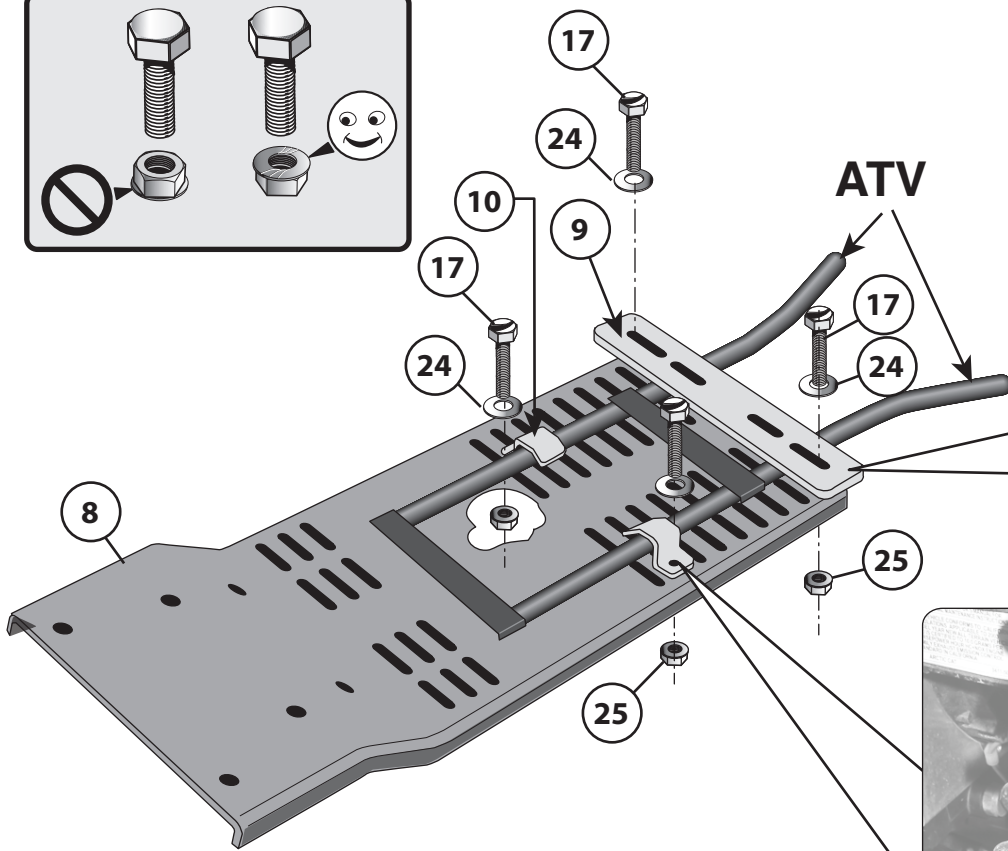
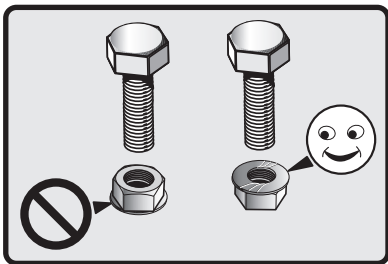
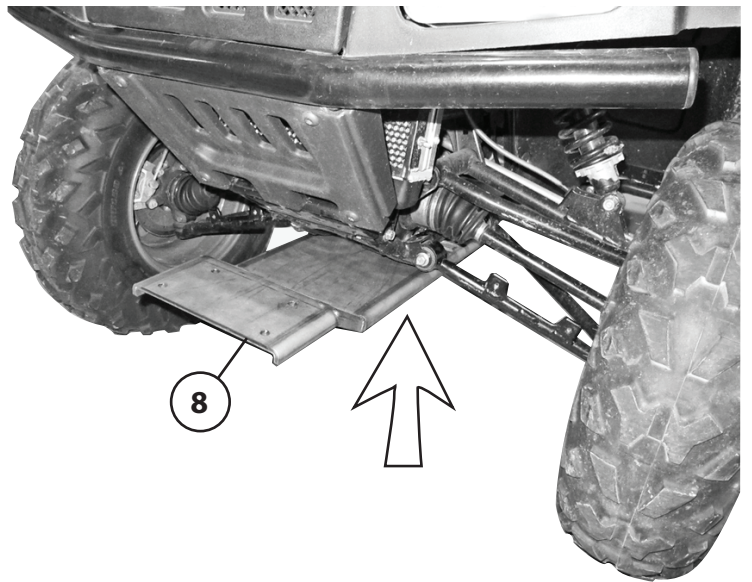
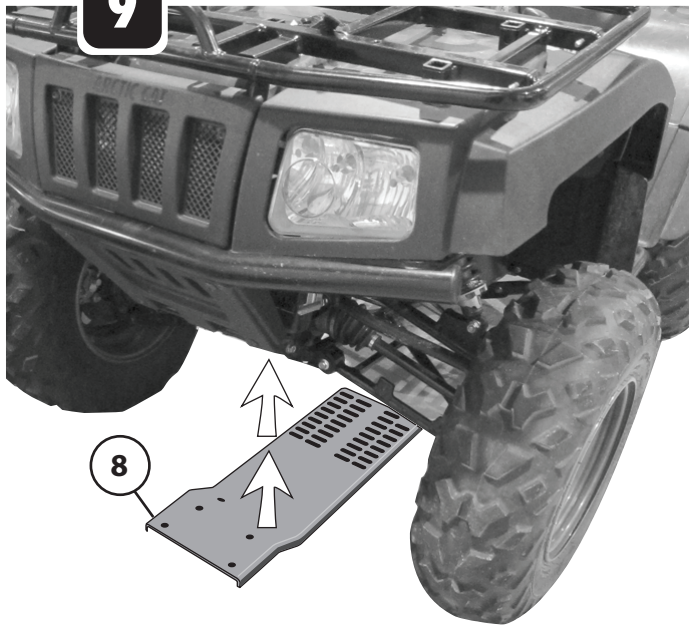


8

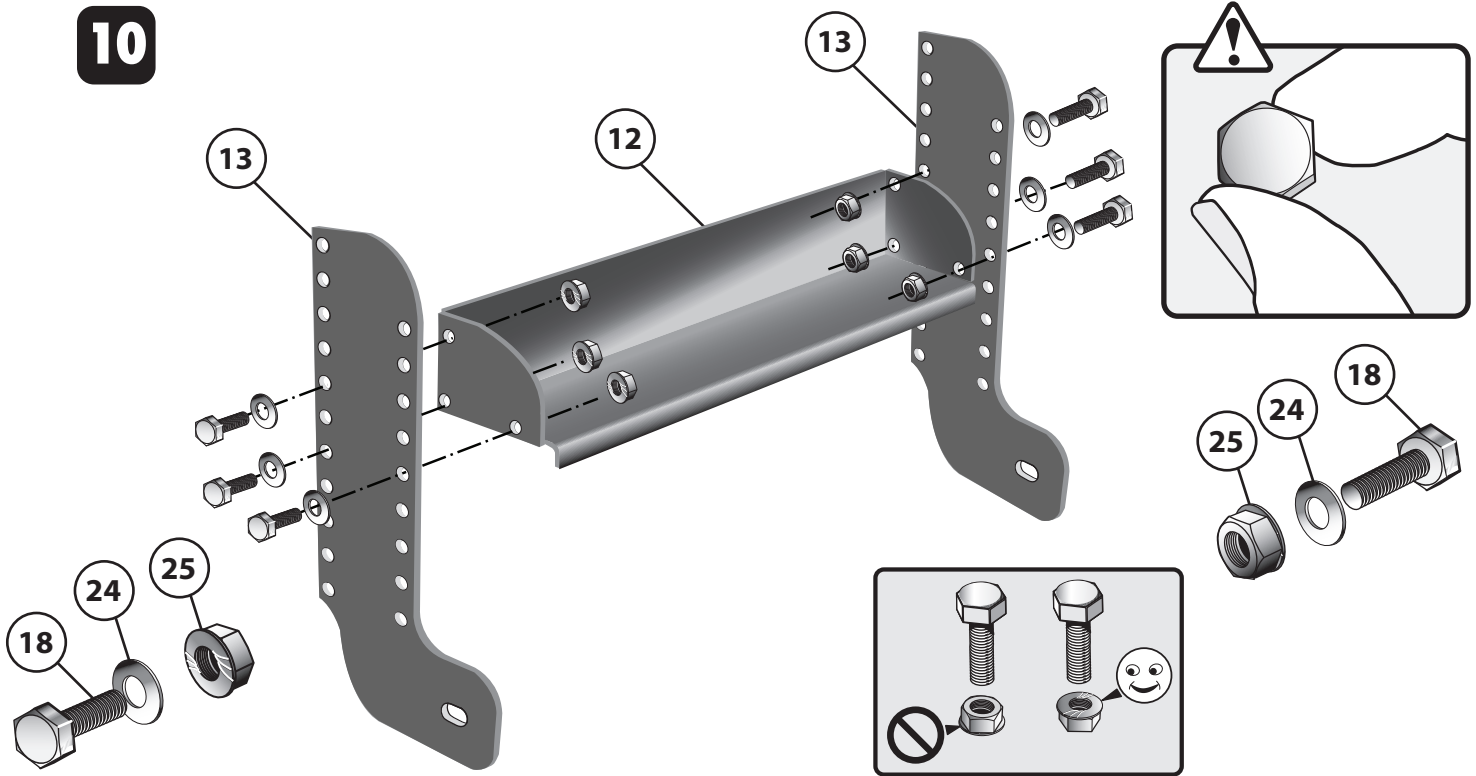


X 4

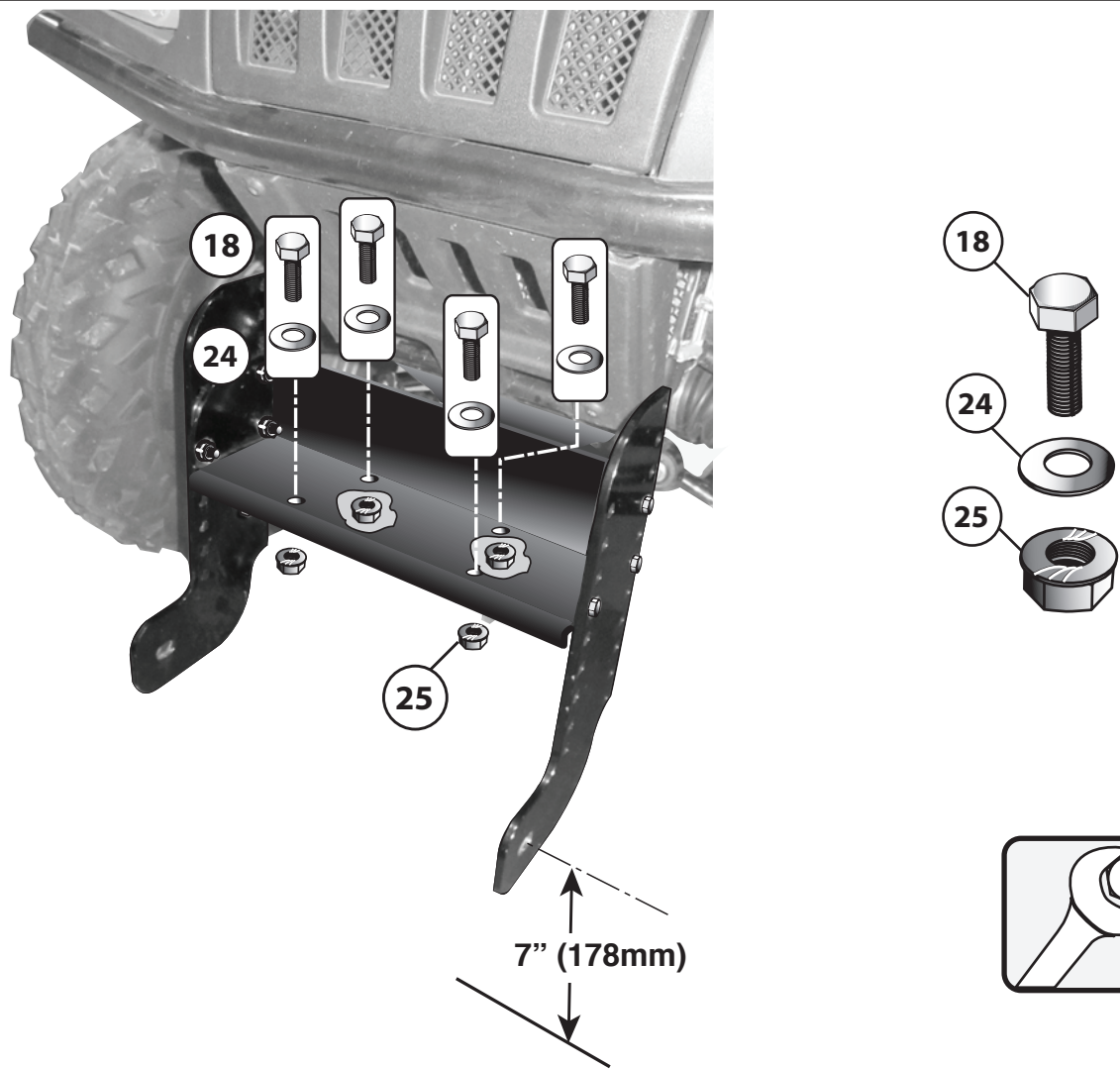
9



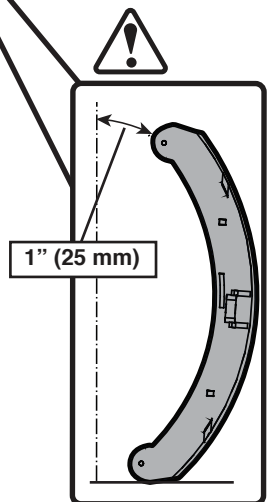
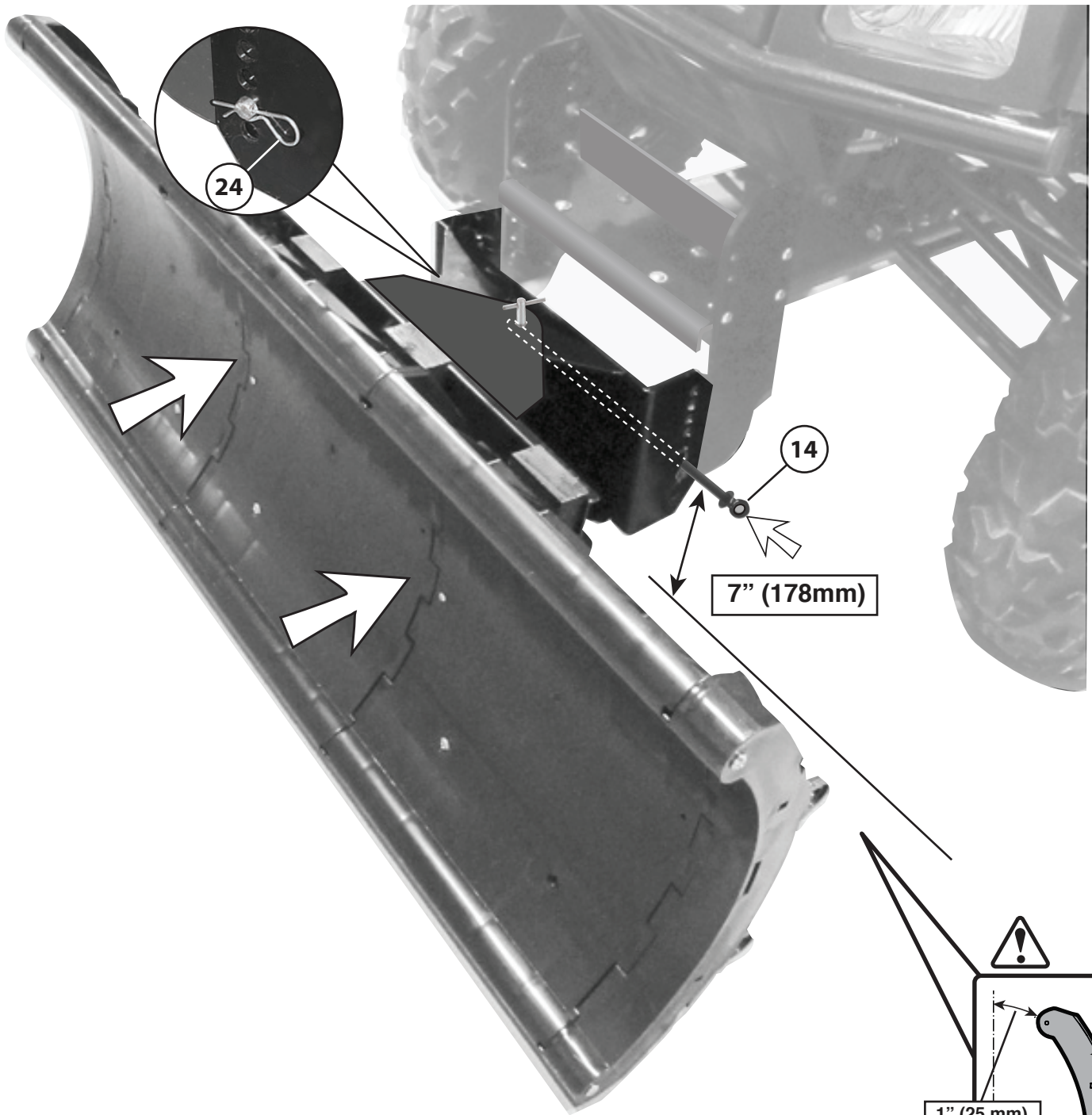
10



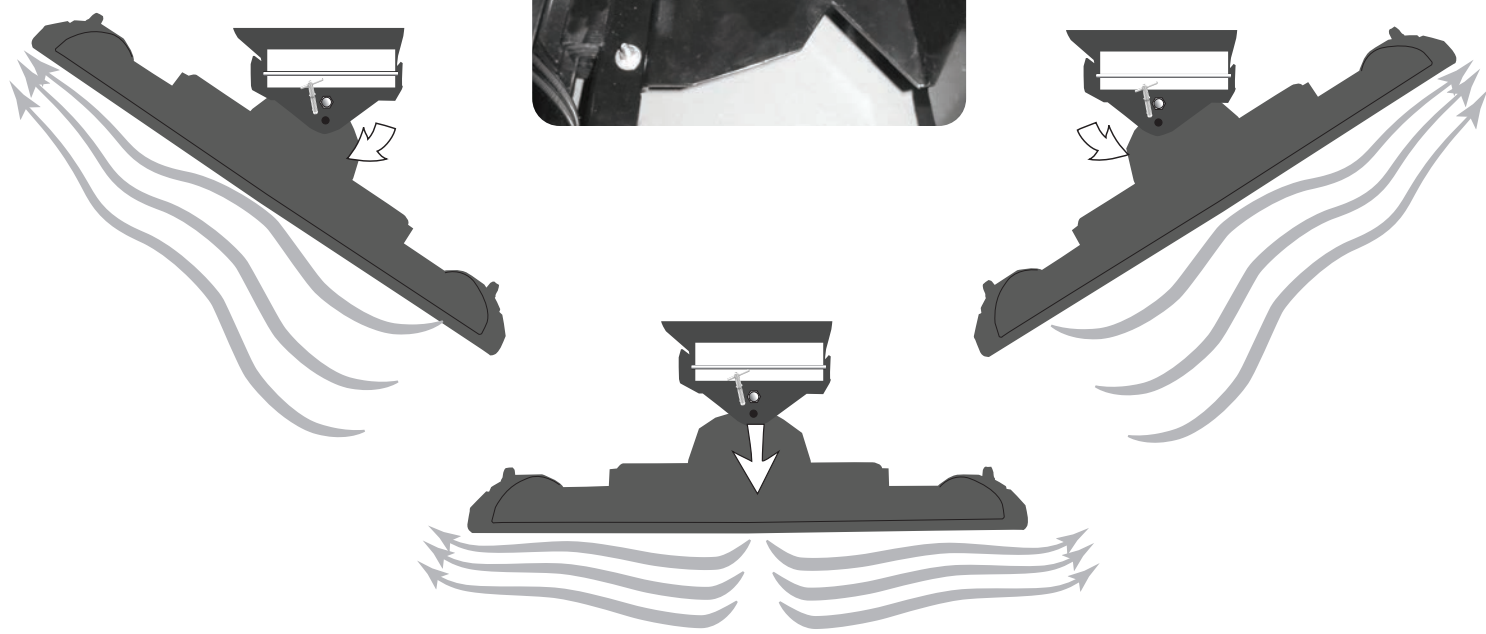
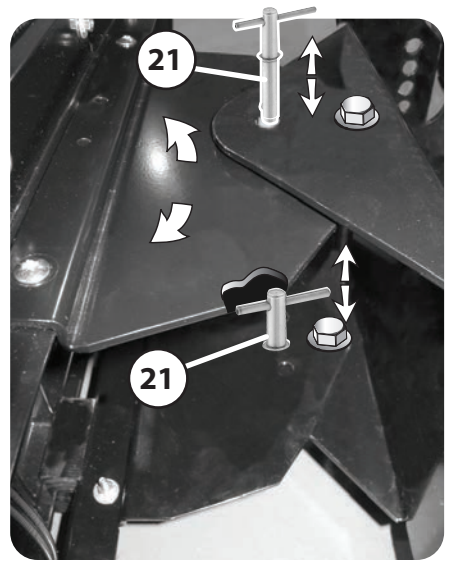
11



12



13



14

